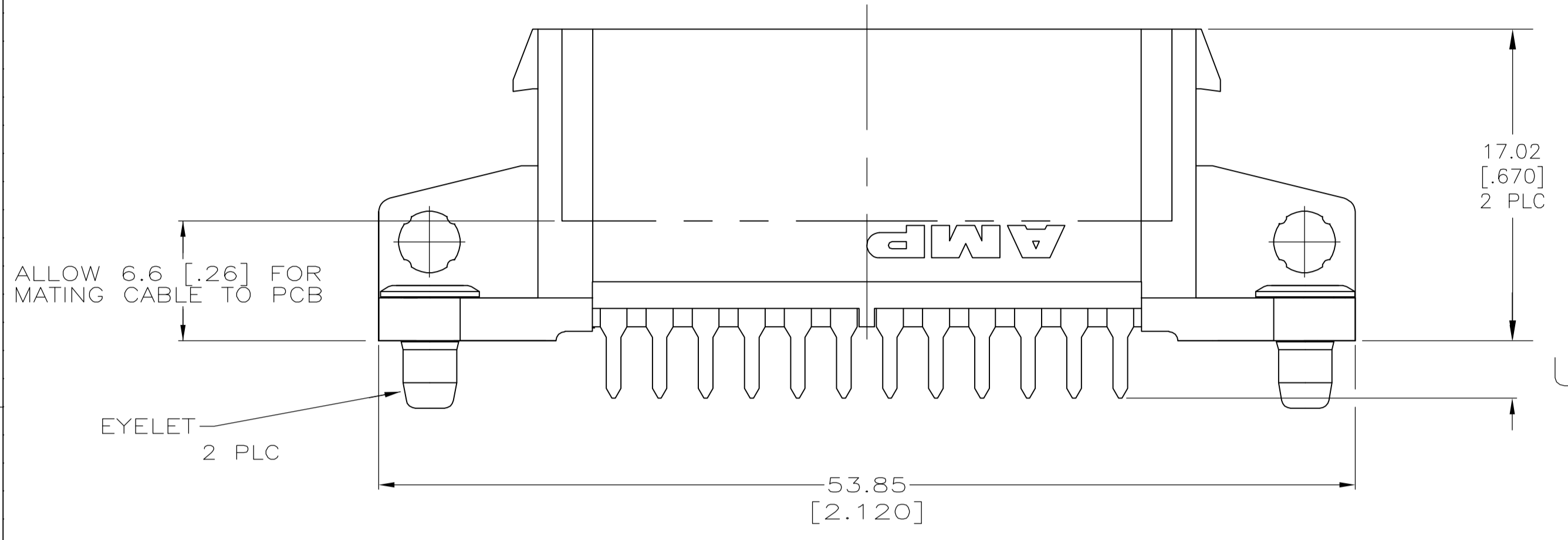
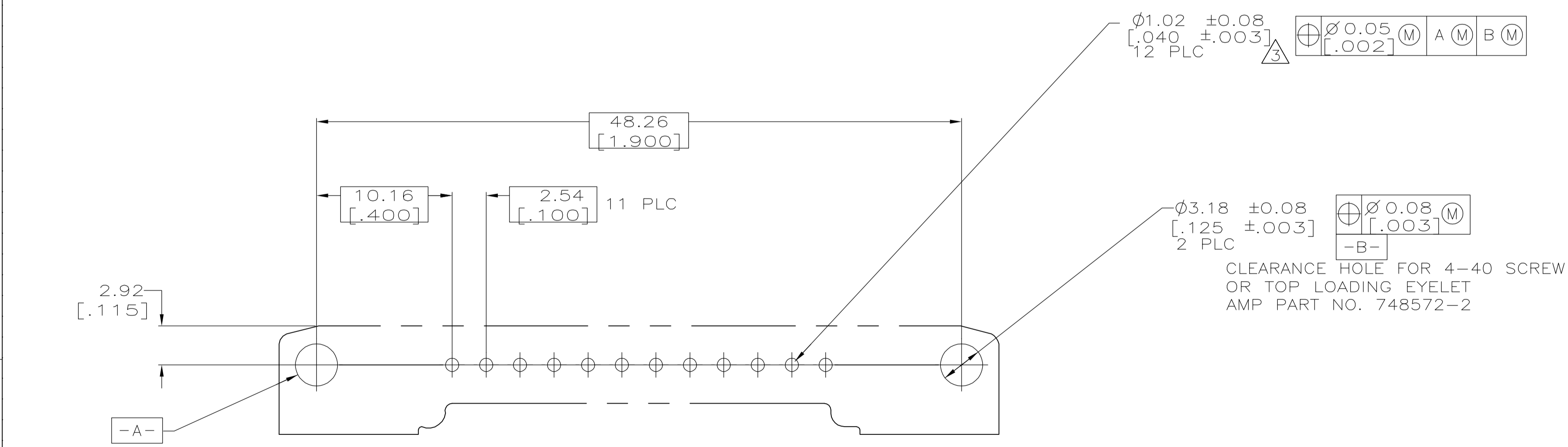
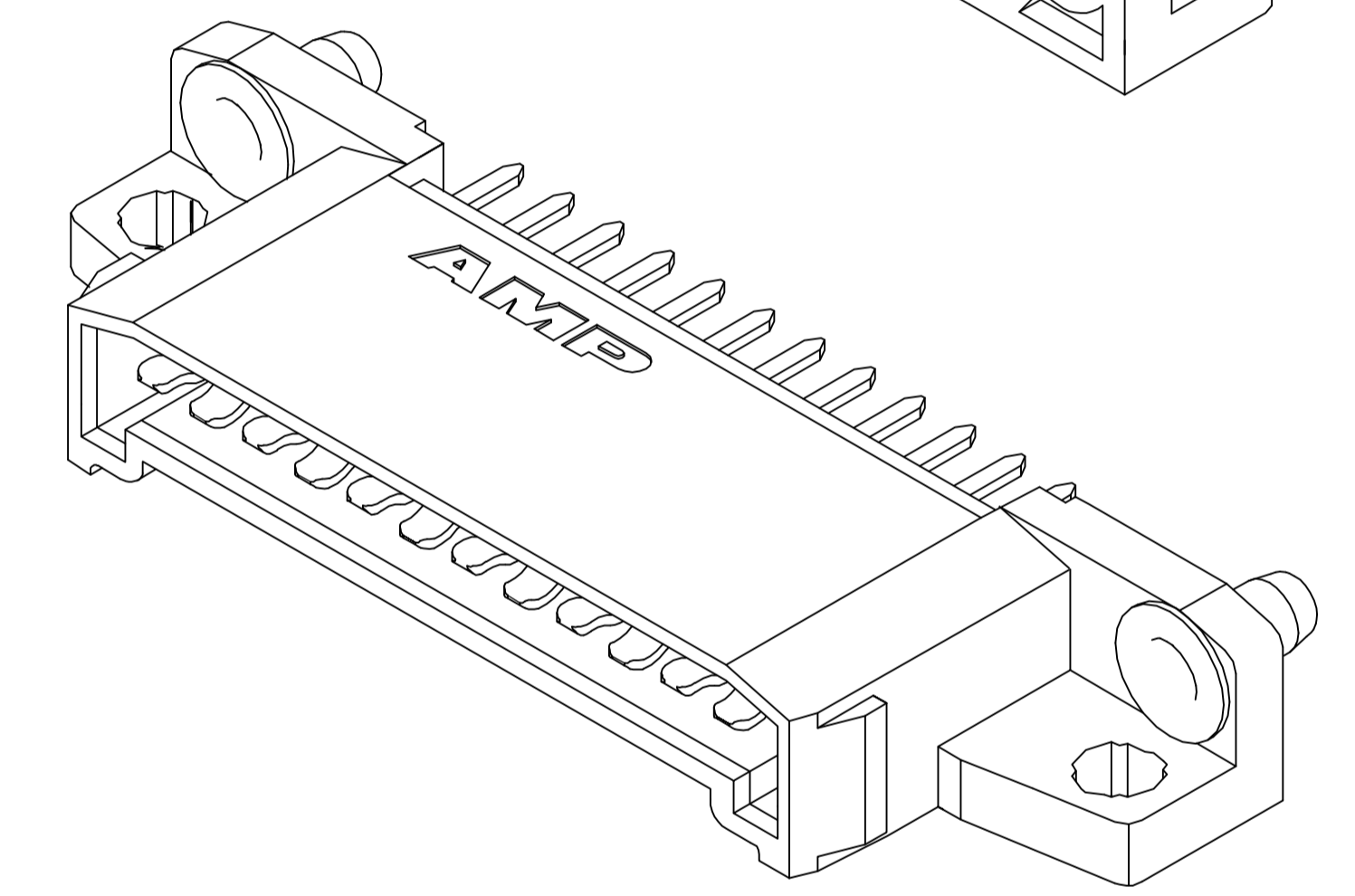
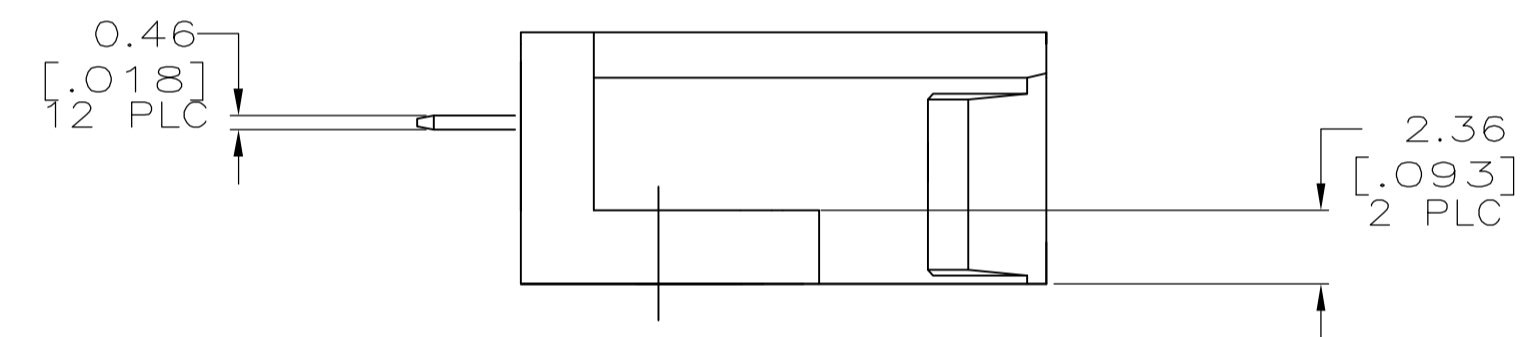
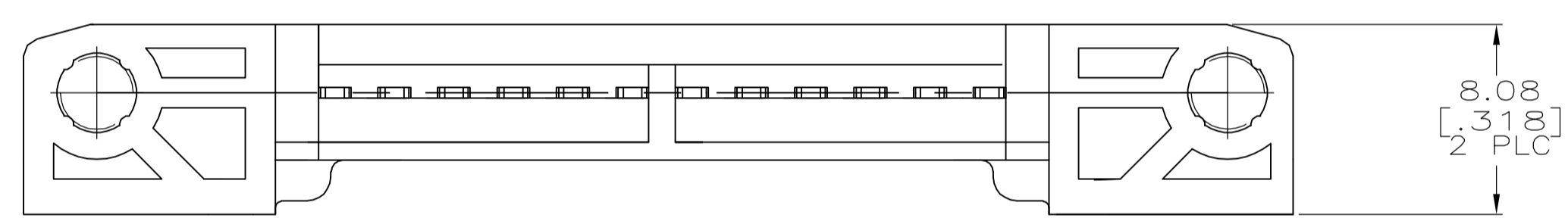
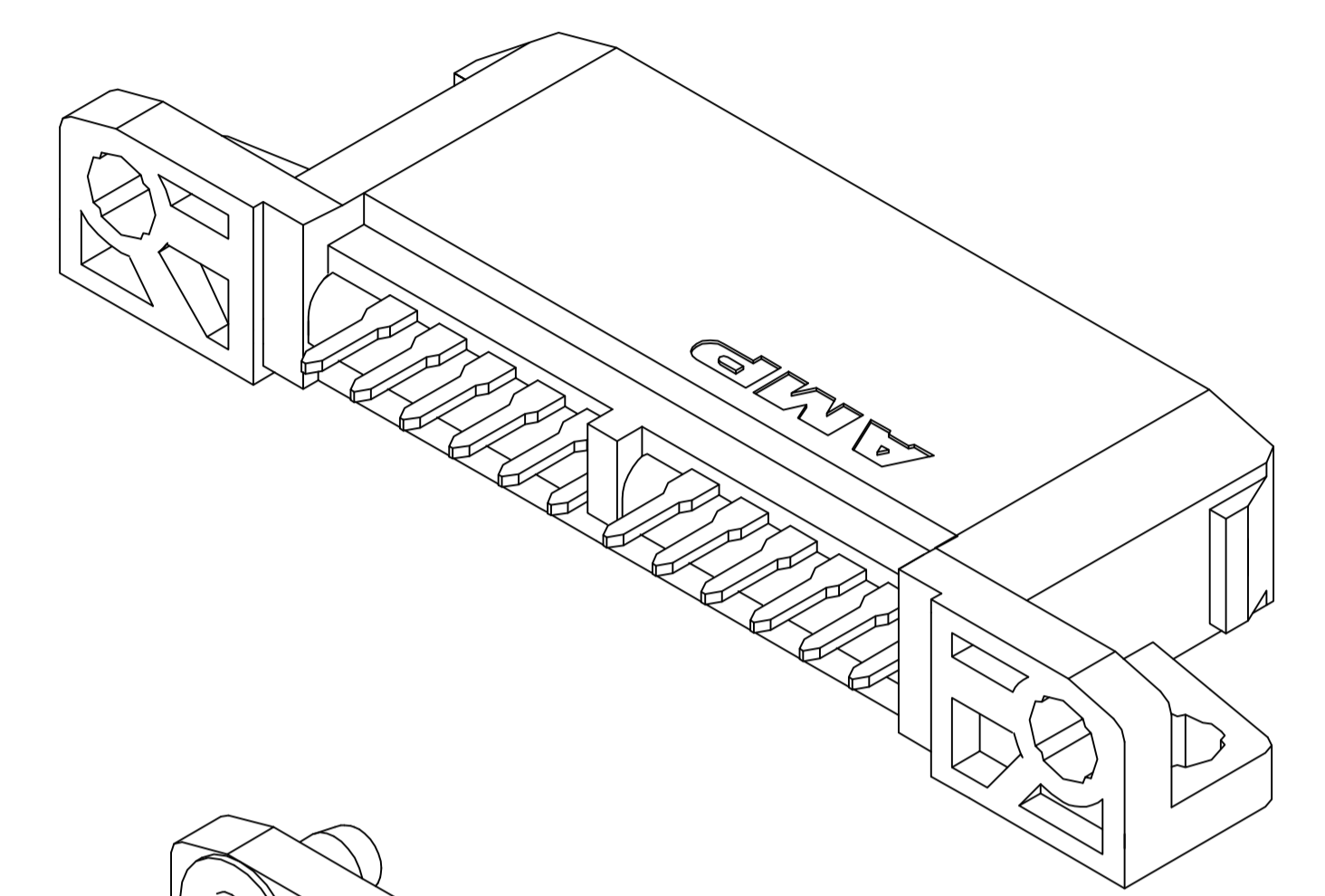


AMPPOWER is a registered trademark of AMP Incorporated.

- 1 HOUSING MAT'L: POLYESTER
- 2 HOUSING MAT'L: POLYESTER HIGH TEMP
- 3 HOLE DIAMETER AFTER PLATING.
- 4 SOLDER TAILS: TIN-LEAD OVER NICKEL.
- 5 SOLDER TAILS: TIN OVER NICKEL.
- 6 PRODUCT AND PROCESSING MUST MEET REQUIREMENTS OF TYCO ELECTRONICS STANDARD 230-702.



U MINIMUM 12 PL



RECOMMENDED PC BOARD LAYOUT
 2.54 [.100] CENTERLINES

WITH EYELETS	5.72 [.225]	1.57 [.062] TO 4.75 [.187]	2-765206-2
WITH EYELETS	4.19 [.165]	1.57 [.062] TO 3.17 [.125]	2-765206-1
WITH EYELETS	3.15 [.124]	1.57 [.062] TO 2.36 [.093]	2-765206-0
W/O EYELETS	5.72 [.225]	1.57 [.062] TO 4.75 [.187]	1-765206-9
W/O EYELETS	4.19 [.165]	1.57 [.062] TO 3.17 [.125]	1-765206-8
W/O EYELETS	3.15 [.124]	1.57 [.062] TO 2.36 [.093]	1-765206-7
OBSOLETE	5.72 [.225]	4.75 [.187]	1-765206-6
OBSOLETE	7.49 [.295]	6.35 [.250]	1-765206-5
WITH EYELETS	4.19 [.165]	3.17 [.125]	1-765206-4
OBSOLETE	3.15 [.124]	1.57 [.062] TO 2.36 [.093]	1-765206-3
OBSOLETE	5.72 [.225]	4.75 [.187]	1-765206-2
OBSOLETE	7.49 [.295]	6.35 [.250]	1-765206-1
WITH EYELETS	4.19 [.165]	3.17 [.125]	765206-9
OBSOLETE	3.15 [.124]	1.57 [.062] TO 2.36 [.093]	765206-8
OBSOLETE	5.72 [.225]	4.75 [.187]	765206-7
OBSOLETE	7.49 [.295]	6.35 [.250]	765206-6
W/O EYELETS	4.19 [.165]	3.17 [.125]	765206-5
OBSOLETE	3.15 [.124]	1.57 [.062] TO 2.36 [.093]	765206-4
OBSOLETE	5.72 [.225]	4.75 [.187]	765206-3
OBSOLETE	7.49 [.295]	6.35 [.250]	765206-2
OBSOLETE	4.19 [.165]	3.17 [.125]	765206-1
OBSOLETE	3.15 [.124]	1.57 [.062] TO 2.36 [.093]	765206-0
MATERIAL	U BOARD THICKNESS		

THIS DRAWING IS A CONTROLLED DOCUMENT. DWN: J.K. DALY 12-08-89
 CHK: CMS 12-14-89
 TOLERANCES UNLESS OTHERWISE SPECIFIED:
 DIMENSIONS: INCHES
 0 PLC ± -
 1 PLC ± -
 2 PLC ± 0.25 [.01]
 3 PLC ± 0.13 [.005]
 4 PLC ± -
 ANGLES ± -
 MATERIAL CONTACT, COPPER ALLOY
 FINISH SILVER ON MATING END, ALL OVER NICKEL.

tyco Electronics Corporation
 Harrisburg, PA 17105-3608

NAME: AMPPOWER Wave Crimp System
 108-1308
 APPLICATION SPEC: 114-49005
 WEIGHT: -
 CUSTOMER DRAWING

SIZE: A1
 CAGE CODE: 00779
 DRAWING NO: 765206
 SCALE: 4:1
 SHEET: 1 of 1
 REV: P